



ThermalFlo™

Heat Pump



Installation and User's Guide

IMPORTANT SAFETY INSTRUCTIONS
READ AND FOLLOW ALL INSTRUCTIONS
SAVE THESE INSTRUCTIONS

Customer Service

If you have questions about ordering Pentair Water Pool and Spa replacement parts, and pool products, please use the following contact information:

Customer Service (8 A.M. to 5 P.M. — Eastern and Pacific Times)

Phone: (800) 831-7133

Fax: (800) 284-4151

Technical Support

Sanford, North Carolina (8 A.M. to 5 P.M. — Eastern Time)

Phone: (919) 566-8000

Fax: (919) 566-8920

Moorpark, California (8 A.M. to 5 P.M. — Pacific Time)

Phone: (805) 553-5000 (Ext. 5591)

Fax: (805) 553-5515

Web site

visit www.pentairpool.com or www.staritepool.com to find information about Pentair products

© 2006 Pentair Water Pool and Spa, Inc. All rights reserved.

This document is subject to change without notice.

1620 Hawkins Ave., Sanford, NC 27330 • (919) 566-8000

10951 West Los Angeles Ave., Moorpark, CA 93021 • (805) 553-5000

Trademarks and Disclaimers. The *Pentair Water Pool and Spa logo*, IntelliTouch and EasyTouch are registered trademarks of Pentair Water Pool and Spa, Inc. ThermalFlo is a trademark of Pentair Water Pool and Spa, Inc. Other trademarks and trade names may be used in this document to refer to either the entities claiming the marks and names of their products. Pentair Water Pool and Spa, Inc. disclaims any proprietary interest in trademarks and trade names other than its own.

P/N 473426 Rev. C 10/19/06

Contents

Important Safety Precautions	iii
Section 1: Introduction	1
ThermalFlo Overview	1
General Features	2
Section 2: Installation	3
Installing the ThermalFlo	3
Materials needed for Installation	3
ThermalFlo Heat Pump Dimensions	4
Location	4
Clearances	5
Roof Run-off	5
Equipment Pad	5
Drainage and Condensation	6
Lawn Sprinklers	6
Anchor Clamp Installation	6
Water Connections	7
Standard Plumbing	7
Water Connections (Quick Connect).....	8
Check Valve Installation	8
Automatic Flow Control Valve	8
Multiple Unit Installation	9
Heat Pump & Heater Combination	9
Multiple Heat Pump Connections	10
Electrical Connections	11
General Information	11
Main Power	11
Bonding	11
Electrical Wiring Diagram	12
Relay Remote Controls	13
Connecting ThermalFlo to IntelliTouch or EasyTouch	14

Section 3: Operating the ThermalFlo	15
Initial Start-up Precautions	15
Operating the Controller	16
Controller Panel	16
Indicator Lights / LEDs	17
System Indicator LEDs	17
Mode Indicator LEDs	17
Operation of Controller Buttons	18
Temperature Setting	18
Mode Selection Buttons	18
Auto-Heat/Cool Mode	18
Keypad Lockout	18
Troubleshooting the Controller	19
Controller Error Codes	19
Water Pressure Switch Adjustment	20
Section 4: General Maintenance	21
Water Chemistry	21
Winterizing	21
Spring Start-Up	22
Inspection and Service	22
Owner Inspection	22
Professional Maintenance and Service	23
Section 5: Troubleshooting	25
Section 6: Replacement Parts	28
Illustrated Parts	28
Replacement Parts List	29

IMPORTANT SAFETY PRECAUTIONS



Important Notice:

This guide provides installation and operation instructions for the ThermalFlo HP models of Heat Pumps. Consult Pentair Water with any questions regarding this equipment.

Attention Installer: This guide contains important information about the installation, operation and safe use of this product. This information should be given to the owner and/or operator of this equipment after installation or left on or near the heat pump.

Attention User: This manual contains important information that will help you in operating and maintaining this heat pump. Please retain it for future reference.

⚠ WARNING — Before installing this product, read and follow all warning notices and instructions which are included. Failure to follow safety warnings and instructions can result in severe injury, death, or property damage. Call (800) 831-7133 for additional free copies of these instructions.

Codes and Standards

The ThermalFlo HP heat pump is listed by ETL as complying with the latest edition of the “UL Standard for Safety for Heating and Cooling Equipment”, UL 1995 and CSA C22.2 No. 236.

All Pentair Water heat pumps must be installed in accordance with the local building and installation codes as per the utility or authority having jurisdiction. All local codes take precedence over national codes. In the absence of local codes, refer to the latest edition of the National Electrical Code (NEC) in the United States and the Canadian Electric Code (CEC) in Canada for installation.

⚠ DANGER — **Risk of electrical shock or electrocution.**




The electrical supply to this product must be installed by a licensed or certified electrician in accordance with the National Electrical Code and all applicable local codes and ordinances. Improper installation will create an electrical hazard which could result in death or serious injury to pool or spa users, installers, or others due to electrical shock, and may also cause damage to property. Read and follow the specific instructions inside this guide.

⚠ WARNING — To reduce the risk of injury, do not permit children to use this product unless they are closely supervised at all times.


⚠ WARNING — For units intended for use in other than single-family dwellings, a clearly labeled emergency switch shall be provided as part of the installation. The switch shall be readily accessible to the occupants and shall be installed at least 5 feet [1.52 m] away, adjacent to, and within sight of the unit.

IMPORTANT SAFETY PRECAUTIONS (continued)

Consumer Information and Safety

The ThermalFlo series of heat pumps are designed and manufactured to provide many years of safe and reliable service when installed, operated and maintained according to the information in this manual and the installation codes referred to in later sections. Throughout the manual, safety warnings and cautions are identified by the “” symbol. Be sure to read and comply with all of the warnings and cautions.

 **WARNING** — The U.S. Consumer Product Safety Commission warns that elevated water temperature can be hazardous. See below for water temperature guidelines before setting temperature.

 **WARNING** — The following “Safety Rules for Hot Tubs” recommended by the U.S. Consumer Product Safety Commission should be observed when using the spa.

1. Spa or hot tub water temperatures should never exceed 104° F. [40° C.]. A temperature of 100° F. [38° C.] is considered safe for a healthy adult. Special caution is suggested for young children. Prolonged immersion in hot water can induce hyperthermia.
2. Drinking of alcoholic beverages before or during spa or hot tub use can cause drowsiness which could lead to unconsciousness and subsequently result in drowning.
3. **Pregnant women beware!** Soaking in water above 100° F. [38° C.] can cause fetal damage during the first three months of pregnancy (resulting in the birth of a brain-damaged or deformed child). Pregnant women should stick to the 100° F. [38° C.] maximum rule.
4. Before entering the spa or hot tub, the user should check the water temperature with an accurate thermometer. Spa or hot tub thermostats may err in regulating water temperatures.
5. Persons with a medical history of heart disease, circulatory problems, diabetes or blood pressure problems should obtain their physician's advice before using spas or hot tubs.
6. Persons taking medication which induce drowsiness, such as tranquilizers, antihistamines or anticoagulants should not use spas or hot tubs.

Hyperthermia occurs when the internal temperature of the body reaches a level several degrees above normal body temperature of 98.6° F. [37° C.]. The symptoms of hyperthermia include: drowsiness, lethargy, dizziness, fainting, and an increase in the internal temperature of the body.

The effects of hyperthermia include:

1. Unawareness of impending danger.
2. Failure to perceive heat.
3. Failure to recognize the need to leave the spa.
4. Physical inability to exit the spa.
5. Fetal damage in pregnant women.
6. Unconsciousness resulting in danger of drowning.

IMPORTANT SAFETY PRECAUTIONS (continued)

Swimming Pool Energy Saving Tips

It is important to note that a heat pump will not heat a pool as fast as a large gas or electric pool heater. If the pool water is allowed to cool significantly, it may take several days to return to the desired swimming temperature. For weekend use, it is *more economical* to maintain the pool water temperature at or near your desired swimming temperature. If you do *not* plan to use your pool for a prolonged period, then you might choose to turn the heat pump completely off *or* decrease the temperature setting of the control several degrees to minimize energy consumption.

Pentair offers the following recommendations to help conserve energy and minimize the cost of operating your heat pump without sacrificing comfort.

1. The American Red Cross recommends a maximum water temperature of 78° F. [25° C.]. Use an accurate pool thermometer. A difference of 4° F. [2° C.], between 78° F. and 82° F. [26° C. and 28° C.], will significantly increase energy consumption.
2. Carefully monitor the water temperature of your pool in the summertime. You can reduce heat pump usage due to warmer air temperatures.
3. During the winter or when on vacation for longer than a week, turn off the heat pump.
4. Find the proper setting on the heat pump temperature control and use the Keypad Lock function to discourage further adjustments.
5. Set the pump time clock to start the pump no earlier than 6:00 AM during the pool-heating season. This is the time when nightly heat loss balances.
6. Where possible, shelter the pool from prevailing winds with well-trimmed hedges or other landscaping, cabanas, or fencing.
7. Always use a pool cover when practical. Besides providing a valuable safety feature, a pool cover will reduce heat loss, conserve chemicals, and reduce the load on filter systems.

IMPORTANT SAFETY PRECAUTIONS (continued)

General Installation Information

1. Installation and service must be performed by a qualified installer or service agency, and must conform to all national, state, and local codes.
2. The ThermalFlo heat pump gets electrical power from an external source and provides a dual electronic thermostat control system for pool/spa combinations or preheat convenience.
3. This heat pump is specifically designed for heating fresh water swimming pools and spas. Do not use it as a general service heater. Consult your dealer for the appropriate Pentair Water products for these applications.

General Specifications

Installation Location Certified for use:

Outdoor use only.

Water Pipe/Heater Connection — Plastic 2" PVC (Unions included)

Flow Rate

Maximum 125 gpm [475 lpm]

Minimum 30 gpm [110 lpm]

Maximum Working Water Pressure 50 psi

Electrical Supply Voltage Requirements 1-Phase 208/230 VAC 60Hz

Requirements	1-Phase
HP 500	50 A
HP 700	50 A
HP 900	60 A
HP 1200	60 A
HP 1200R	60 A

Warranty Information

The ThermalFlo heat pump is sold with a limited factory warranty. Details are specified on the warranty card. Make all warranty claims to an authorized Pentair Water dealer or directly to the factory. Claims must include the heat pump serial number and model (this information can be found on the rating plate), installation date, and name of the installer. Shipping costs are not included in the warranty coverage. The warranty does not cover damage caused by improper assembly, installation, operation, winterizing, field modification, or failure to earth bond and properly ground the unit. Any changes to the heat pump, evaporator, heat exchanger, wiring, or improper installation may void the warranty.

Section 1

Introduction

ThermalFlo Overview

The ThermalFlo heat pump gets electrical power from an external source and provides a dual electronic thermostat control system for pool/spa combinations or preheat convenience.

ThermalFlo HP heat pumps transfer the heat from the outside air to your pool, providing the most energy efficient pool and spa heating available. Compared to gas, oil, or electric heaters, ThermalFlo HP heat pumps operate up to 80% less, saving you hundreds of dollars in energy costs each year. Our heat pumps are not only highly efficient, they're also clean and safe to operate. ThermalFlo HP heat pumps are ETL-listed pool heat pumps using R410-A, the environmentally safe and clean refrigerant.

The non-polluting ThermalFlo HP Heat Pump is so energy efficient, it will keep your pool comfortably warm for far less than gas or electric heaters.

This heat pump is specifically designed for heating fresh water swimming pools and spas. Do not use it as a general service heater. Consult your dealer for the appropriate Pentair Water products for these applications.



ThermalFlo

General Features

- Dual digital thermostats offer precise temperature control to maintain the desired separate water temperatures in pool/spa combinations without overheating or wasting energy.
- Long-life corrosion resistant composite cabinet stands up to severe climates and pool chemicals.
- High efficiency Trane® compressor is the most energy efficient, durable, and quiet compressor available.
- Self-diagnostic control panel monitors and troubleshoots heat pump operations to ensure safe, dependable operation.
- Cupronickel heat exchanger resists external corrosion and heat loss.
- Each unit undergoes a finishing process to ensure corrosion resistance and long life.
- Elevated base pan for positive drainage of condensation.
- 2-inch plumbing connections for easy installation.
- Separate isolated electrical compartment prevents internal corrosion, extends heater life.
- Compatible with IntelliTouch® and Easytouch® control systems.
- ETL listed for safe operation.

Section 2

Installation

The following general information describes how to install the ThermalFlo heat pump.

Note: Before installing this product, read and follow all warning notices and instructions starting on page iii.

Installing the ThermalFlo

Only a qualified service person should install the ThermalFlo heat pump.

Materials needed for Installation

The following items are needed and are to be supplied by the installer for *all* heat pump installations:

1. Plumbing connections(2 inch).
2. Level surface for proper drainage.
3. Suitable electrical supply line. See rating plate on unit for electrical specifications. A junction box is not needed at the heat pump; connections are made inside of the heat pump electrical compartment. Conduit may be attached directly to the heat pump jacket.
4. Electric cutout switch that will interrupt all power to the unit. This switch *must* be within line of sight of the heat pump.
5. Watertight conduit to run the electrical supply line.

Note: We recommend installing isolation valves on the inlet and outlet water connections for ease of serviceability.

ThermalFlo Heat Pump Dimensions

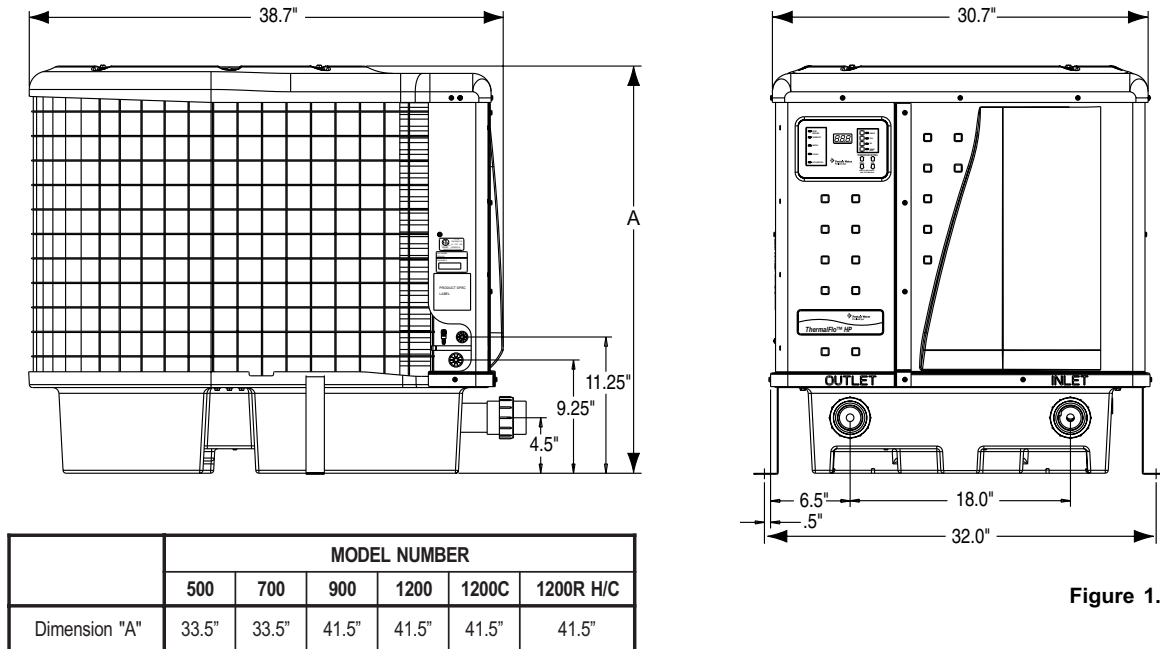


Figure 1.

Correct installation is required to assure safe operation. The requirements for Pentair Water heat pumps include the following:

- Dimensions for critical connections.
- Field assembly (if required).
- Appropriate site location and clearances. (See pages 4-5.)
- Proper electrical wiring. (See pages vi and 11-13.)
- Adequate water flow. (See page vi.)

This manual provides the information needed to meet these requirements. Review all application and installation procedures completely before continuing the installation.

Location

CAUTION — When pool equipment is located below the pool surface, a leak from any component can cause large scale water loss or flooding. Pentair Water Pool and Spa, Inc. cannot be responsible for such water loss or flooding which may cause damage to the product.

Avoid placing the heat pump in locations where it can cause damage by water or condensate leakage. If this is not possible, provide a suitable drain pan to catch and divert any leakage.

Clearances

All criteria given in the following sections reflect minimum clearances. However, each installation must also be evaluated, taking into account the prevailing local conditions such as proximity and height of walls, and proximity to public access areas.

The heat pump must be placed to provide clearances on all sides for maintenance and inspection.

1. At least 24 in. [61 cm] access must be available in the front and 12 in. [30 cm] on all the other sides of the heat pump for service, see Figure 2.
2. If the heat pump is to be installed under a cover or under a vertical overhang, the unit must have a minimum of four (4) feet [1.22 m] clearance from the top of the heat pump.
3. Install a minimum of five (5) feet [1.52 m] from the inside wall of the pool or spa unless the heat pump is separated from the pool or spa by a five (5) foot high solid fence or other permanent barrier. Canadian installations require a minimum of three (3) meters from pool water.

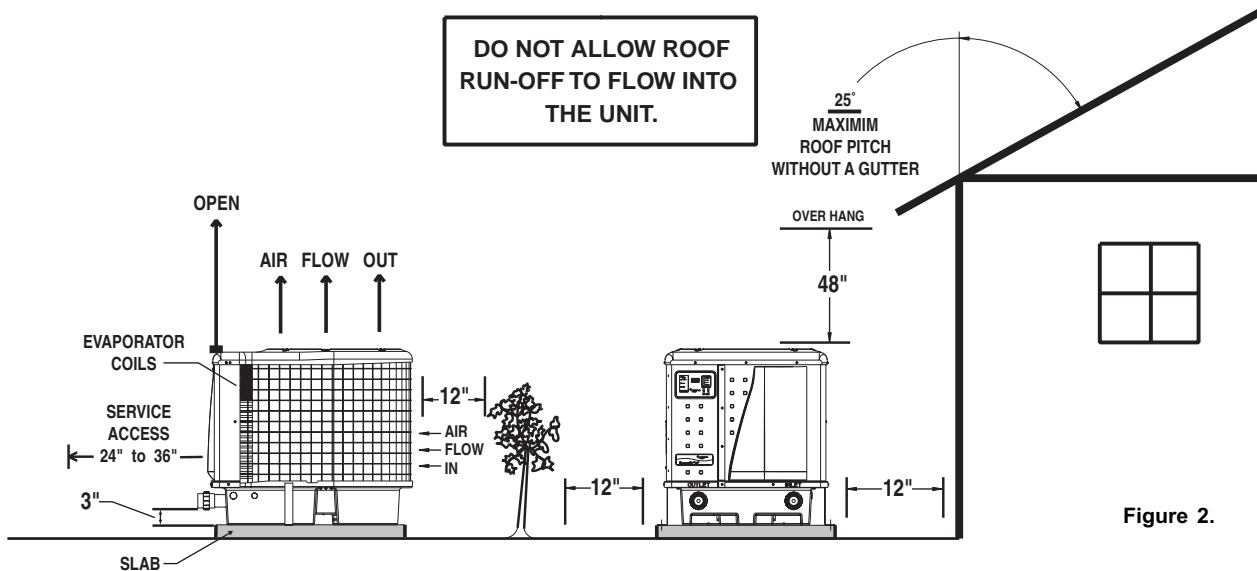


Figure 2.

Roof Run-off

Make sure the heat pump is not located where large amounts of water may run-off from a roof into the unit. Sharp sloping roofs without gutters will allow massive amounts of rain water, mixed with debris from the roof to be forced through the unit, see Figure 2. A gutter or down spout may be needed to protect the heat pump.

Equipment Pad

Place the heat pump on a flat slightly pitched surface, such as a concrete or fabricated slab (pad). This allows proper drainage of condensation and rain water from the base of the unit. If possible, the pad should be placed at the same level or slightly higher than the filter system equipment pad.

NOTE: Ensure that the pad is pitched not more than 1/4 in. per foot toward the compressor end (front) of the heat pump. Pitch slab from back to front 1/4 in. per foot maximum and level from side to side.

Drainage and Condensation

Condensation will occur from the evaporator coil while the unit is running and drain at a steady rate, usually three to five gallons per hour, depending upon ambient air temperature and humidity. The more humid the ambient conditions, the more condensation will be produced. The bottom of the unit acts as a tray to catch rainwater and condensation. Keep the drain holes, located on the bottom pan of the base of the unit, clear of debris.

Lawn Sprinklers

Make sure there are *absolutely no sprinkler heads near the heater* that will in any way spray on or into the heater. **Sprinkler damage is not covered under the warranty agreement.**

Make sure that they're a sufficient distance away so that normal winds will not carry the mist to the heater. If your filtering system area has plants that need water, use a trickle type irrigation sprinkler instead of the broadcast type.

The heater is designed to handle the wettest weather conditions that are typical of rain and humidity, etc. Sprinkler heads force high pressure water into the unit from the side at an odd angle. Most sprinkler systems are connected to a well system. Most well water is high in minerals, sulphur and other aggressive contaminants. These contaminants will leave a build up on the evaporator coils and electronics causing corrosion and hamper the efficiency. If you are located within 15 miles of the coast, salt may also be in the well water.



Figure 3.

Anchor Clamp(s) Installation

In Florida, building codes require that the heat pump be anchored to the equipment pad or platform to withstand high wind pressures created during hurricanes.

This heat pump is provided with anchor clamps designed to hold the unit to the equipment pad in high wind conditions. Installation of the anchor clamps are recommended in all installations and are required in Florida (See Florida Building Code 301.13).

To install the anchor clamps:

1. Be sure that the heat pump is in its permanent location on the equipment pad.
2. Remove the anchor clamps from the installation and instruction package.

Note: Bolts and bolt anchors are not included with the heat pump. The installer must provide 1/4" x 1-3/8" stainless steel anchor bolts and the appropriate size concrete anchor to mount the clamp to the equipment pad.

3. Place the clamps at the base of the heat pump in the locations indicated in Figure 4, (2 in. undercut [notched area] on either side).
4. Fit the hook of each clamp over the lip on the base panel of the heat pump. The hook should fit between the lip of the base panel and the evaporator coil guard, see Figure 5.
5. Mark the position of the hole in each clamp on the equipment pad.

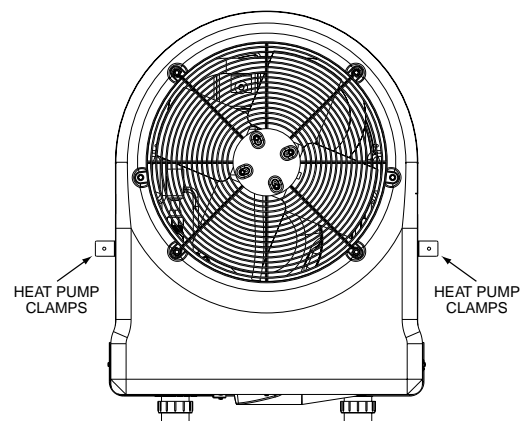


Figure 4.

Anchor Clamp(s) Installation, continued

6. Drill a hole in the cement using a masonry drill bit, with a diameter as determined by the concrete anchor, at each of the marks on the equipment pad. The hole should be approximately 1½ in. deep.
7. Insert a bolt anchor into each of the holes. Be sure the anchors are set completely into the holes
8. Position the anchor clamps so that the holes in the clamps are over the bolt anchors. Be sure that the clamp hooks are over the lip of the heat pump base, see Figure 5.
9. Insert an anchor bolt through each clamp into the anchor and tighten to secure the clamp and heat pump to the equipment pad.

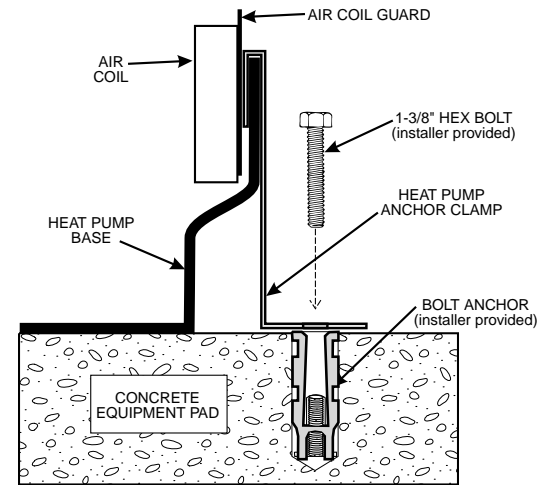


Figure 5.

Water Connections

Plumbing layout

See Figure 6, illustrating the standard plumbing layout with a single heat pump unit. Following the diagram from right to left, the plumbing sequence is as follows:

Pool > Skimmer and Main Drain > Pool Pump > Filter > Heat Pump > Check Valve > Chemical Loop > Chlorinator > Pool

NOTE: For normal installations, do not install a shut-off valve or any kind of variable restriction in the water piping between the heat pump outlet and the pool/spa.

The heat pump must be protected from back-siphoning of water. If there is any chance of back-siphoning, provide a check valve between the pool and the heat pump outlet. Arrangement of pool system components other than as illustrated in Figure 6. and the following diagrams can affect the operation of the heat pump's water pressure switch. Location of the heat pump above or below the pool water surface can also affect operation of the switch. In general, the pressure switch can be adjusted to accommodate this effect if the heat pump water connections are no more than six (6) feet below the pool water surface or no more than fifteen 15 feet above it. See instructions for pressure switch adjustment (page 20) in the heat pump start-up section of this manual for more information. If the heat pump is installed outside of this range, an external pressure switch may need to be installed in the plumbing upstream of the heat pump. Call the Pentair Water Heat Pump Technical Service department at (800) 831-7133 for details.

Be advised that when pool equipment is located below the pool surface a leak can result in large-scale water loss or flooding. Pentair cannot be responsible for such water loss or flooding or the damage caused by either occurrence.

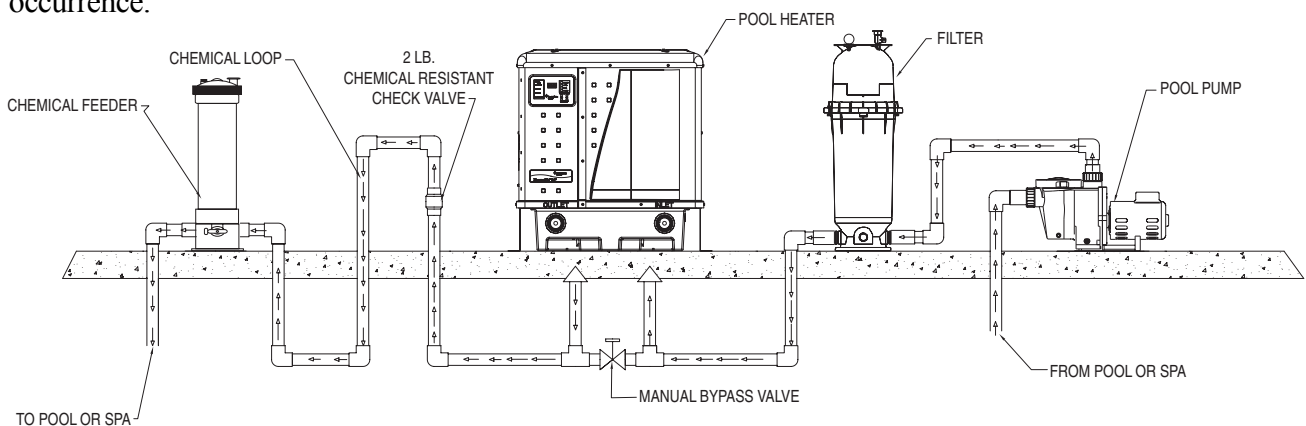


Figure 6. Standard Plumbing Layout

Water Connections at the Heat Pump

Two inch Quick Connect fittings have been installed on the water inlet and outlet connections, see Figure 7. Filtered cool water is plumbed to the inlet, located on the right side of the heat pump front panel. Heated water flows through the outlet, located on the left side of the heat pump front.

Plastic piping (PVC Schedule 40) should be connected to the heat pump. The unions, provided with the unit, accept 2 in. PVC pipe.

CAUTION — Make sure that flow requirements and pool water turnover rates can be maintained with the installation of additional heat pumps and plumbing restrictions.

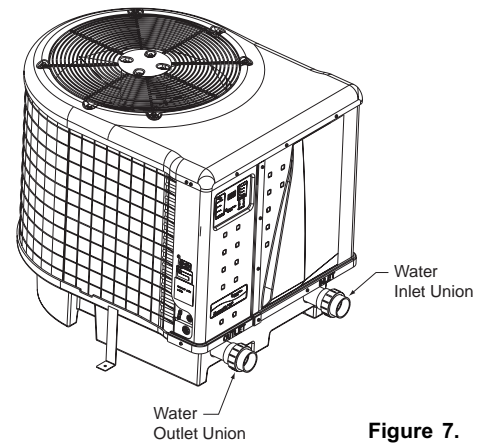


Figure 7.

Check Valve Installation

The heat pump must be protected from back-siphoning of water. If there is any chance of back-siphoning, provide a check valve between the pool and the heat pump outlet.

CAUTION — The chlorinator placement, water balance, and where chemicals are added, are very important aspects of the installation. Failure to protect the heat pump unit from chemical damage is not covered under the warranty.

When an automatic chemical feeder is installed in the plumbing, it must be installed downstream of the heat pump. A check valve must be installed between the heat pump and the chemical feeder to prevent back-siphoning of chemically saturated water into the heat pump where it will damage the components.

Automatic Flow Control Valve

The inlet/outlet header of the ThermalFlo HP heat pump comes equipped with an internal automatic flow control valve. The automatic flow control valve maintains the proper flow through the heat pump at rates up to 125 gpm (475 lpm). If the filter system flow rate is higher than 125 gpm (475 lpm), install a manual bypass valve, see Figure 6 on [page 7](#).

NOTE: *Be advised that if your circulation pump is over 2 HP or if the total flow exceeds 125 gpm, you will have to add an external bypass valve. Excess water flow will damage the heat exchanger.*

Multiple Unit Installation

Heat Pump, Heater and/or Solar Combination

In certain regions of the country it may be more economical to run a heat pump during the warmer months and a gas heater during the cooler months. In some situations it may be desirable to run the heat pump in the “Chiller” mode, if so equipped, during the hottest portion of the year and a heater during the cooler months. The Pentair Water heat pump may be used in conjunction with a gas or electric heater or any combination of heat sources including solar. All heat sources must be plumbed in series to work correctly and efficiently.

A recommended plumbing layout for a heat pump / heater / solar combination heating system for a pool / spa combination is shown in Figure 8. Your system may not contain all of these components, but the basic plumbing will apply by eliminating the component in the illustration that is not a part of your system.

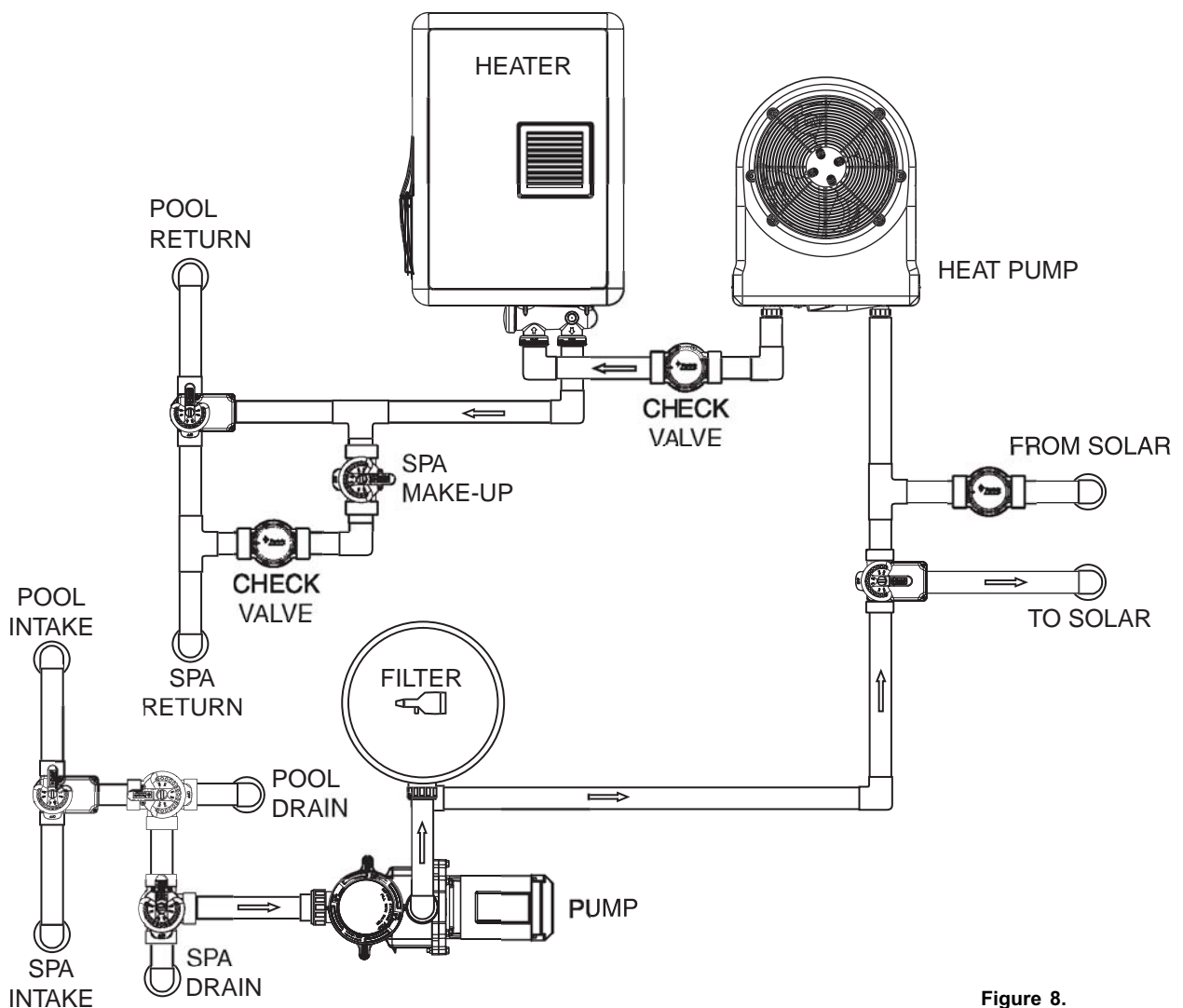


Figure 8.

Multiple Heat Pump Connections

All plumbing on multiple heat pump installations must be done in parallel see Figures 9 and 10. An equal flow of water to each heat pump is important for optimum operation.

NOTE: It may be necessary to adjust water pressure switch if a unit is installed below the water level. See page 20 for details on when and how to adjust the pressure switch.

Each heat pump allows a maximum flow rate of 125 gpm and requires a minimum of 30 gpm.

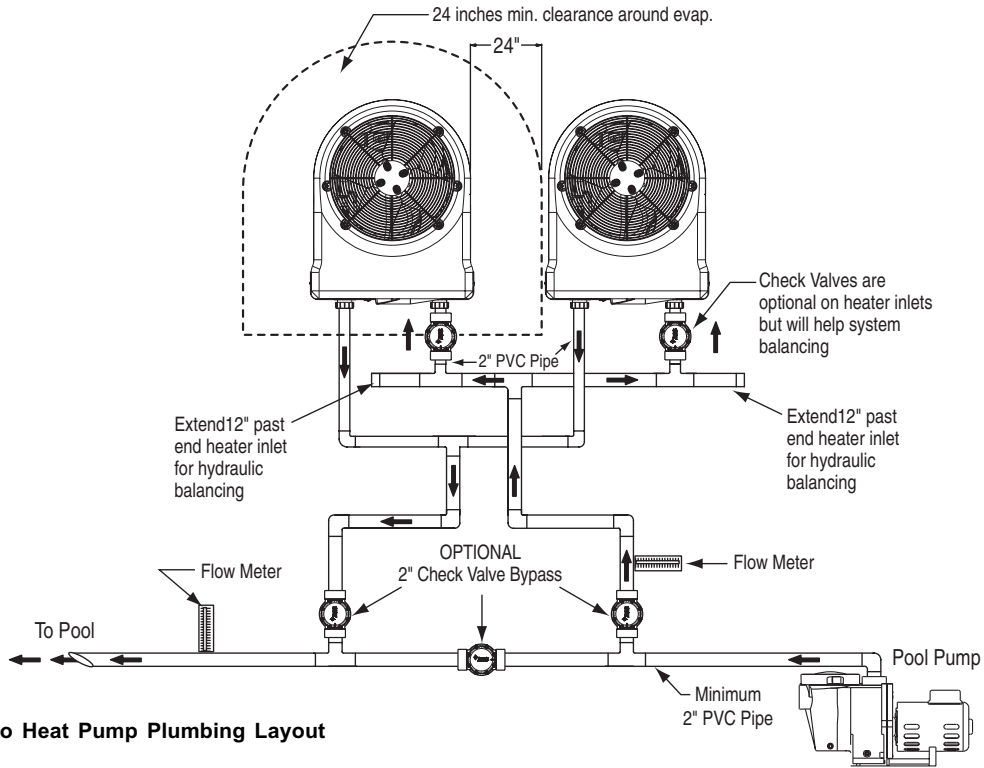


Figure 9. Two Heat Pump Plumbing Layout

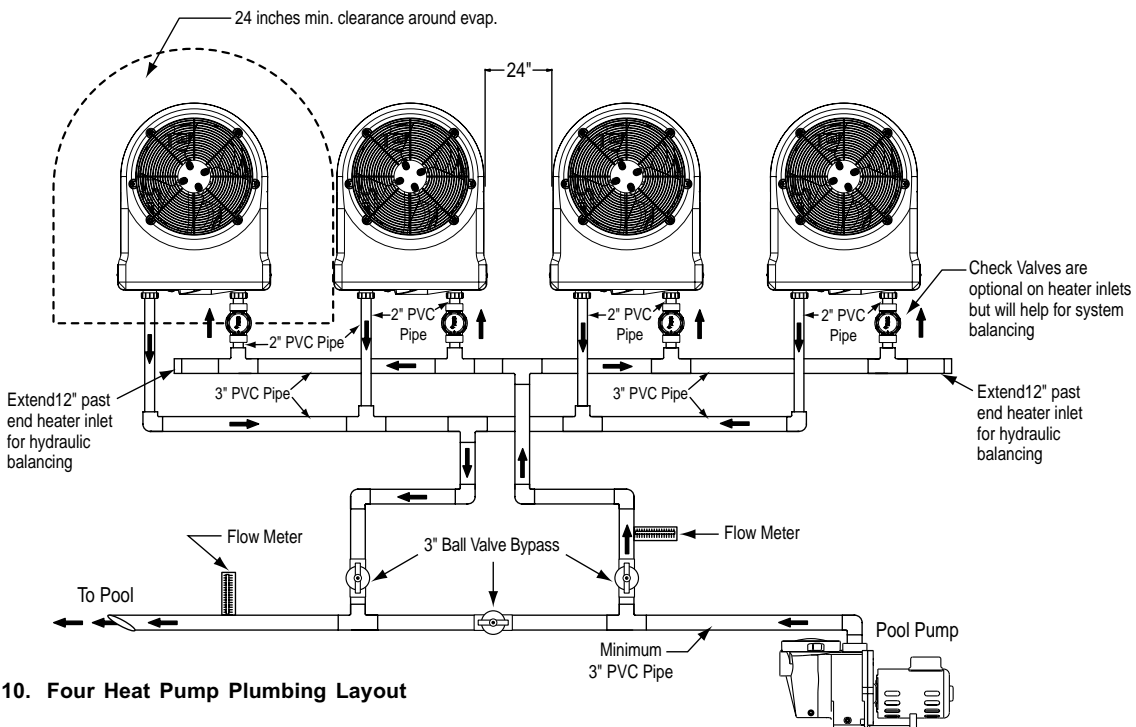


Figure 10. Four Heat Pump Plumbing Layout

Electrical Connections

WARNING — Risk of electrical shock or electrocution.



This heat pump contains wiring that carries high voltage. Contact with these wires could result in death or serious injury to pool or spa users, installers, or others due to electrical shock, and may also cause damage to property. Always disconnect power circuit before connecting the heat pump.

CAUTION — Label all wires prior to disconnection when servicing controls. Wiring errors can cause improper and dangerous operation. Verify proper operation after servicing.

General Information

Wiring connections must be made exactly as shown in the wiring diagram found on the inside of the heat pump access panel, see Figure 11 on [page 12](#). The heat pump must include a definite means of grounding and bonding. There is a ground lug inside the heat pump electrical compartment and a bonding lug on the left side of the heat pump.

Main Power

Electrical wiring to the heat pump must be in accordance with the latest edition of the National Electric Code (NEC), ANSI/National Fire Protection Association (NFPA) 70 in the United States, and in Canada, the Canadian Electrical Code (CEC) C22.1, unless local code requirements indicate otherwise. All wiring must be done by a certified electrician.

The following is the procedure to wire the ThermalFlo HP to the electrical source:

Be sure the power to the circuit for the heat pump is turned off.

1. Remove the front left panel of the heat pump cabinet, (**you do not need to remove the torque head screw at the top left corner**).
2. Remove the service panel to the heat pump electrical compartment. (front left corner of unit)
3. Electrical supply lines must be run through watertight conduit. Run the wires and conduit from the power source and connect them to the conduit connection on the left side of the heat pump.
4. Connect the power leads to the terminals on the main contactor as shown in the wiring diagram.
5. Verify that all other contactor wires are secure, they may have loosened during shipment.
6. Connect the ground wire to the ground lug provided on the bottom of the electrical compartment.
7. Replace the service panel and reinstall screws to hold it in place.
8. Replace the front left panel.
9. Connect a copper bonding wire (8 AWG) to the bonding lug on the left side of the heat pump.

Bonding

CAUTION — This heater must be connected to a bonding grid with a solid copper wire not smaller in diameter than 8 ga.

The National Electrical Code and most other codes require that all metallic components of a pool structure, including reinforcing steel, metal fittings, and above ground equipment be bonded together with a solid copper conductor not smaller than 8 AWG. The heat pump, along with pumps and other pool equipment must be connected to this bonding grid. A bonding lug is provided on the left side of the heat pump to ensure this requirement is met.

Wiring Diagram

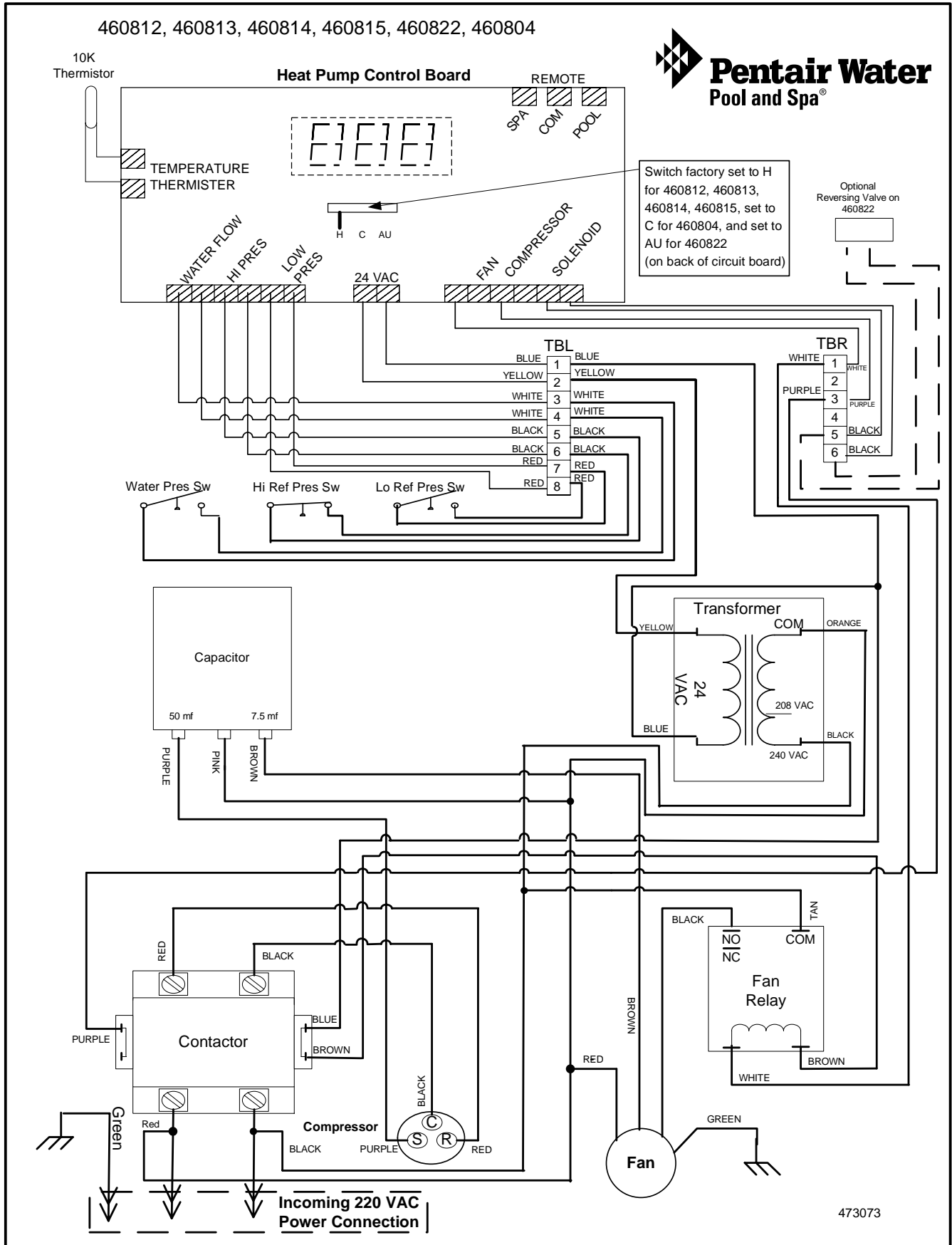


Figure 11.

Relay Remote Controls

Electrical wiring must be in accordance with the latest edition of the NEC (NFPA 70) in the United States and CEC (CSA 22.1) in Canada, unless local code requirements indicate otherwise. To connect remote control equipment to the heat pump, perform the following steps:

1. Turn off the power to both the remote pool/spa control system and the heat pump.
2. Remove the front left panel of the heat pump cabinet, (**you do not need to remove the torque head screw at the top left corner**).
3. Remove the electrical service panel to the heat pump. Remove the 4 bezel retaining screws from above the electrical compartment and rotate the bezel downward. This will allow you to access the Remote terminals on the back of the ThermalFlo HP control board for the remote control installation.
4. Run the wires from the pool/spa remote control system into the upper electrical compartment.
5. Connect the wiring from the pool/spa remote control system to the heat pump remote control terminals using ¼ in. “Fast On” connectors as shown in the figure below.
6. Rotate the bezel back upwards into position and reinstall the 4 retaining screws.
7. Replace the electrical service panel.
8. Replace the front left panel.
9. Restore power to the heat pump and the pool/spa remote control system.

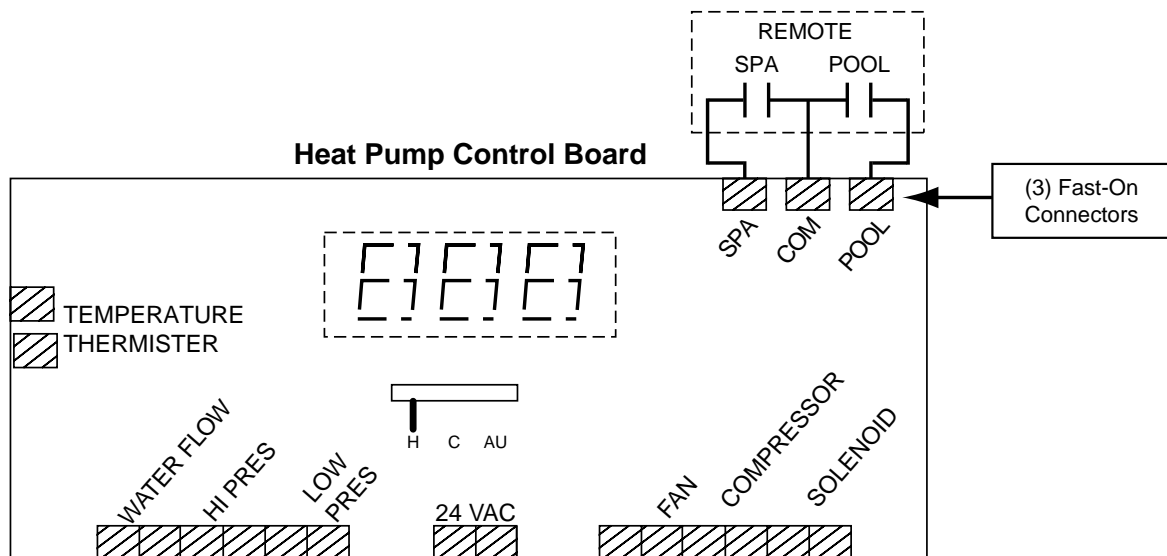


Figure 12.

Connecting the ThermalFlo to the IntelliTouch® or EasyTouch® Load Center

To connect the ThermalFlo cable to the Personality Board in the IntelliTouch or EasyTouch Load Center:

1. Turn off the main system power before making any connections.
2. Unlatch the front door spring latch(es), and open the front door of the IntelliTouch or EasyTouch Load Center.
3. Loosen the two retaining screws from the top of the control panel and lower the control panel down to access the Personality Board.
4. Run a UL approved conductor cable from the ThermalFlo to the Load Center.
5. Route the cable up through the low voltage raceway located on the left of the Load Center to the Personality Board, see Figure 13.
6. Insert the ThermalFlo cable plug onto the gas heater terminal connector, located on the left side of the Personality Board.
7. If the heat pump is used in conjunction with a gas heater, use a 520403 Dual Heater Relay Kit. Plug the heat pump relay connector onto the SOLAR Terminal on the top center of the Personality Board. Follow the Dual Heater Relay Kit instructions for further set-up details.
8. Lift the control panel up into position and secure with the two screws.
9. Connect the cable from the IntelliTouch or EasyTouch Load Center to the heat pump remote control terminals using ¼ in. “Fast-On” Spade connectors, see Figure 12 on the previous page.

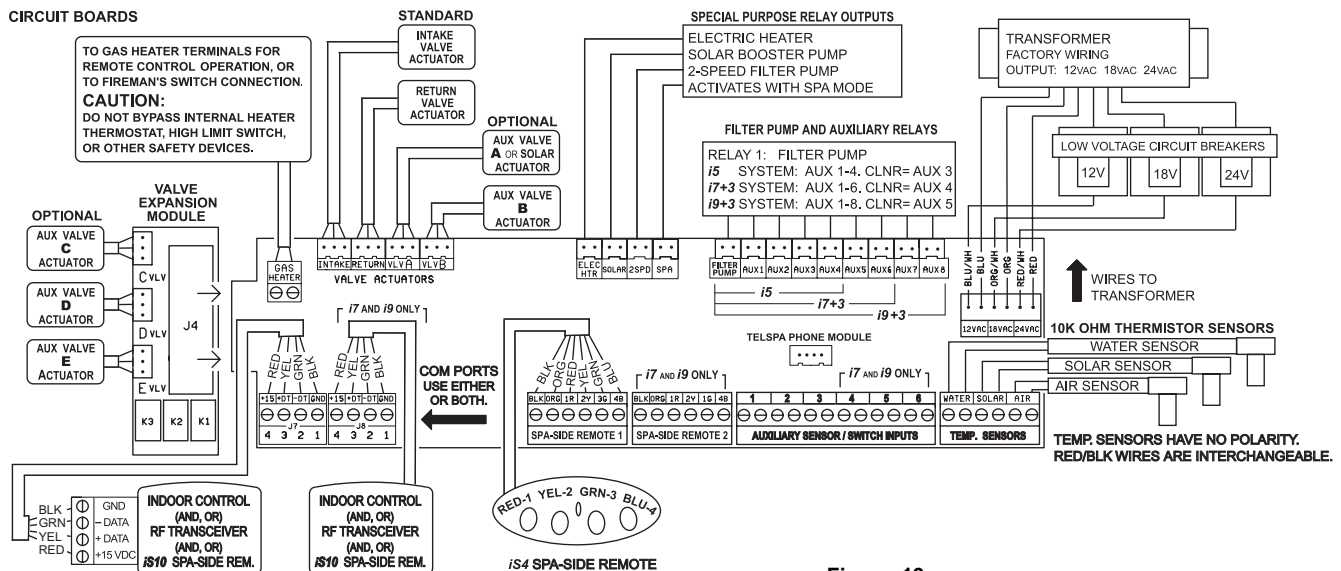


Figure 13.

Section 3

Operating ThermalFlo

This section describes how to operate the ThermalFlo heat pump.

Initial Start-up Precautions

CAUTION — Do not use this heat pump if any part has been under water. Immediately call a qualified service technician to inspect the heater and replace any part of the control system which has been under water.

CAUTION — Keep all objects off the top of the heat pump. Blocking air flow could damage the unit and may void the warranty.

ATTENTION

After starting the ThermalFlo heat pump, please note that there is a **5 minute delay** before the compressor begins operation. The heat pump display will show the remaining delay time in minutes and hundredths of a minute.

Be sure that there is water in the pool and that the surface level is above the skimmer or other inlets of the pool's filter system.

The pool pump must be on and water flowing through the heat pump for it to operate.

With any new pool or spa installation, operate the filter pump with the heat pump off long enough to completely clean the water. This will remove any installation residue from the water. Clean the filter at the end of this operation before starting the heat pump. When raising the temperature of a cold pool, program the time clock to run the pump continuously. This lets the filter system and heat pump operate continuously until the water reaches the temperature setting on the temperature control. When that happens, the heat pump will automatically shut off, but the filter pump will keep running.

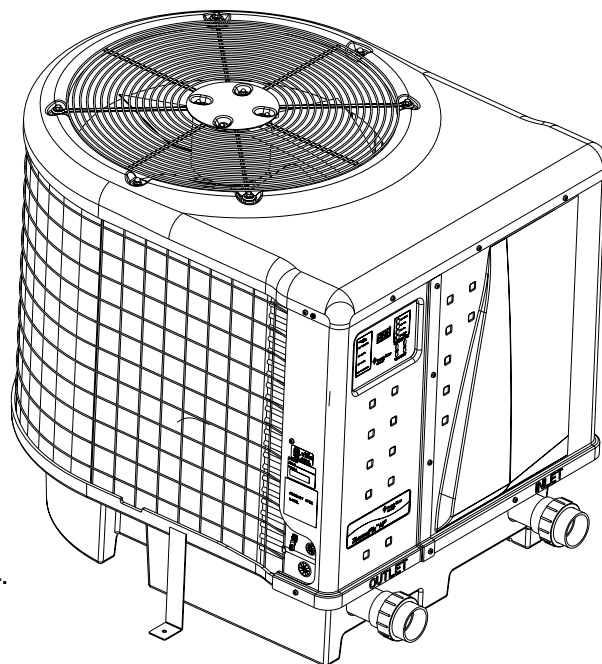


Figure 14.

Operating the Controller

An advanced microprocessor based controller that provides a sophisticated yet simple interface to operate your heat pump for maximum efficiency and enjoyment of your pool, controls the ThermalFlo HP heat pump. It will control incoming water temperature between a minimum of 60° and a maximum of 104° F. The controller also serves as system status indicator, using LED lights and error codes, see Figure 15.

During normal operation, the controller displays the temperature of the water returning to the heat pump. Changing the desired pool or spa temperature is easily done by simply pressing the appropriate “**Up**” or “**Down**” arrow until the display reads the desired temperature. The display returns to current water temperature when setpoint adjustment is complete.

To display the current setpoint, simply touch the appropriate “**Up**” or “**Down**” arrow. The display will momentarily display the current setpoint. Note that the **POOL** LED must be on to display or adjust the pool setpoint and the **SPA** LED must be on to display or adjust the spa setpoint.

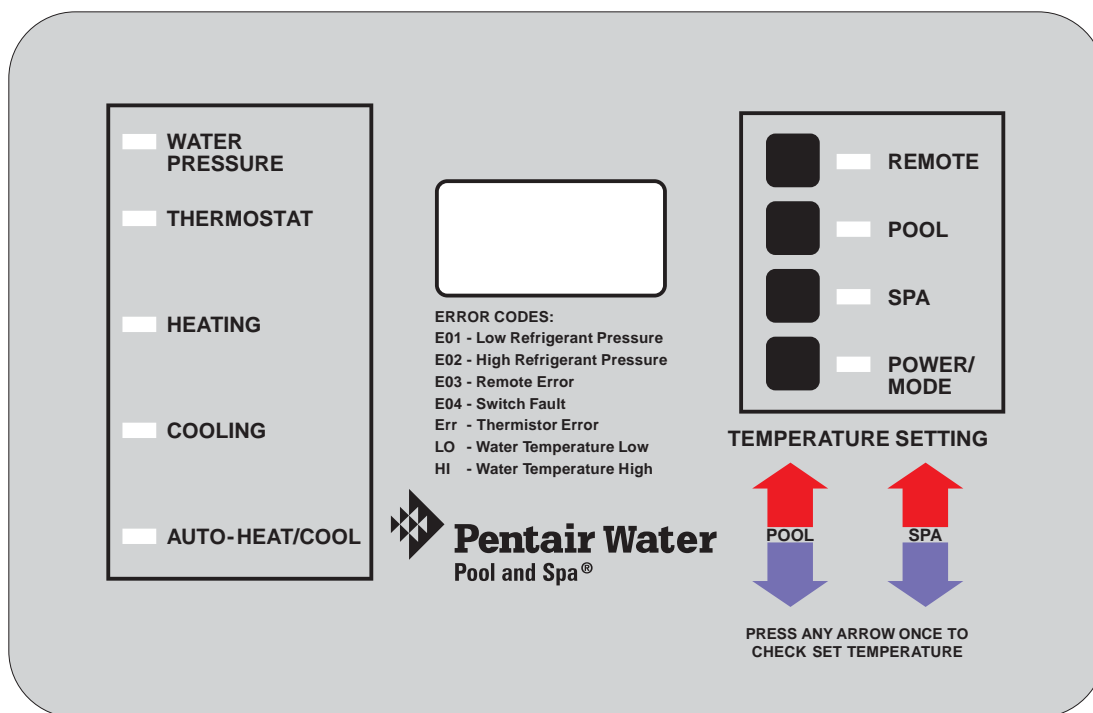


Figure 15. Main Control Panel

Indicator Lights / LEDs

Nine lights can be seen from the front of the control panel. Five are system indicators and four are mode indicators. These lights help the operator and service person understand the operation of the heat pump and aid in troubleshooting problems.

System Indicator LEDs

1. **WATER PRESSURE:** On when in REMOTE, POOL or SPA mode and sufficient water is flowing through the heat pump.
2. **THERMOSTAT:** On when the controller is calling for heating or cooling.
3. **HEATING:** On when heat pump is configured for heating.
4. **COOLING:** On when heat pump is configured for cooling.
5. **AUTO – HEAT COOL:** On when switch SW1, located on the back of the controller board, is in the AU position. This indicates that the heat pump can operate as a heater and a cooler. (Only used on Model HP 1200R.)

Mode Indicator LEDs

1. **REMOTE LED:** On when the controller is being controlled by the three remote terminals on the back of the control board, (SPA, COM and POOL). When using REMOTE mode, the local setpoints should be outside the temperature band that the remote device will be controlling at. (Set the pool and spa temperature setpoints to the maximum settings— 104° F. for heat, 60° F. for cool).
2. **POOL LED:** On when heat pump is maintaining water temperature at the POOL setpoint.
3. **SPA LED:** On when heat pump is maintaining water temperature at the SPA setpoint.
4. **POWER/MODE LED:** On when the heat pump is OFF and there is power to the unit.

Operation

Temperature Setting

The heat pump comes factory set at 78° F. for POOL mode and 100° F. for SPA mode. Start by selecting either the POOL or SPA mode to turn the heater on, then using the “Up” and “Down” arrows, you can set the thermostat anywhere between a minimum temperature of 60° F. and a maximum of 104° F.

Mode Selection Buttons

1. **REMOTE** button: Places the heat pump in REMOTE mode whereby its starting and stopping is controlled by relays in a remote device connected to the remote terminals on the back of the control board.
2. **POOL** button: Places the heat pump in POOL mode which causes it to start and stop as necessary to maintain water temperature at the pool setpoint.
3. **SPA** button: Places the heat pump in SPA mode which causes it to start and stop as necessary to maintain water temperature at the spa setpoint.
4. **POWER/MODE** button: On the heat only and cool only heat pump models, the POWER/MODE button turns off the heat pump, (Models HP 500, HP 700, HP 900, HP 1200 and HP 1200C). On auto heat and cool units, (Model HP 1200R), the POWER/MODE button switches the heat pump between OFF, HEATING, COOLING and AUTO-HEATING/COOL configurations.

Auto-Heat/Cool Mode (Applicable to Model HP 1200R ThermalFlo heat pumps only)

The Model HP 1200R ThermalFlo heat pump has the ability to operate as a heater, cooler and to automatically switch back and forth between heating and cooling. This is controlled by the POWER/MODE button. The POWER/MODE button causes the heat pump to switch from HEATING to COOLING to AUTO-HEAT/COOL to Off.

Keypad Lockout


To lockout the control panel in any operating mode, press and hold the REMOTE and SPA down buttons simultaneously. All control panel buttons will be disabled. If any button is pressed, the display will indicate Loc for a few seconds. To unlock the keypad, press and hold the REMOTE and SPA down buttons simultaneously again.

Troubleshooting

The control panel contains a three digit LED display. These LEDs display temperatures, lock out status and error codes. The error codes are listed below:

CODE	NAME	CAUSE
E01	Low Refrigerant Pressure	Low refrigerant pressure switch open.
E02	High Refrigerant Pressure	High refrigerant pressure switch open.
E03	Remote Error	Pool and Spa remote inputs on simultaneously.
E04	Switch Fault	SW1 position indeterminate.
Err	Thermistor Error	Temperature sensor reading open or shorted.
LO	Water Temperature Low	Water temperature below 45° F.
HI	Water Temperature High	Water temperature above 106° F.

Water Pressure Switch Adjustment

 **CAUTION** — The water pressure switch should be adjusted to turn the heater off when the pump is off. Setting the switch to close at too low of a flow can damage the appliance. Adjust the switch to turn the heater off, not on.

The pressure switch is preset at the factory for activation at 1.5 psi [10 kPa]. This factory setting works for all basic installations as shown previously on [pages 7, 9-10](#) in this manual. Only adjust the water pressure switch if the heat pump does not operate *when the proper flow is applied to unit* or if the heat pump does not shut off when the filter pump is off. Occasionally, unusual plumbing configurations or necessary restrictions in the plumbing may cause pressure sensing problems. In these rare situations, the plumbing system configuration may require adjustment of the water pressure switch.

Adjustment of the pressure switch may be necessary if any part of the filter system piping is 3 feet [0.91 m] or more above the top of the heat pump jacket.

Do not adjust the pressure switch if the heat pump is installed more than 15 feet [4.57 m] above or 6 feet [1.83 m] below the pool surface. Consult your local Pentair Water representative for recommendations.

On some installations, the piping from the heat pump to the pool is very short. The back pressure could be too low to trigger the pressure switch. If this happens, it may be necessary to install a directional fitting or elbows where the return line enters the pool. This will increase back pressure enough for the heat pump to operate properly. If this configuration is necessary, be sure to check that the system flow is above the minimum requirement of 30 gpm after the direction fitting or elbow has been installed.

Make sure the pool filter is clean before making any pressure switch adjustment: A dirty filter will restrict the water flow and the pressure switch cannot be adjusted properly.

To adjust the pressure switch:

1. Be sure that all valves in the system are set to allow water flow through the heat pump. Start the filter pump.
2. Set the heat pump control to call for heat. Set the **On/Mode** switch on the heat pump control to the “**ON**” position.
3. If the heat pump control water pressure indicator LED is **Off**, then the flow in the system may be below the minimum flow of 30 gpm needed for the safe operation of the heat pump. Investigate and correct any flow problems before adjusting the water pressure switch. If the flow is above 30 gpm and the light is **Off**, adjustment is required.
4. Remove the heat pump’s left front panel and remove remaining right front panel. The water pressure switch is located in the water plumbing in the lower right corner of the heat pump.
5. Slowly rotate the adjustment wheel on the water pressure switch in a **counterclockwise** direction until the “**Water Pressure Indicator**” LED is **On**. Remember that there is a time delay before the heat pump compressor will start.
6. Once the heat pump is running, turn off the filter pump. The heat pump should turn off immediately.
7. If the heat pump continues to operate when the filter pump is off, turn the adjustment wheel on the water pressure switch in a **clockwise** direction until “**Water Pressure Indicator**” LED is **Off** and the heat pump stops.
8. Check the setting of the water pressure switch by starting and stopping the filter pump and checking the control display and operation of the heater between each flow change.
9. If the water pressure switch cannot be adjusted to accommodate the conditions listed above, an external flow switch must be added to the plumbing system to ensure that the heat pump will not operate without the proper flow through the heat exchanger.

Section 4

General Maintenance

Water Chemistry

Proper chemical balances are necessary for sanitary bathing conditions as well as ensuring your heat pump's long life. Be sure to keep your chemical and mineral concentration levels within the values indicated in Table 1. *Failure to maintain proper water chemistry may void the warranty.*

Test	Recommended Level
Free Chlorine <i>or</i>	1.0 to 3.0 ppm (3.0 to 5.0 spa)
Bromine	2.0 to 4.0 ppm (3.0 to 5.0 spa)
pH	7.4 to 7.6
Total Alkalinity (TA)	80 to 120 ppm
Calcium Hardness (CH)	200 to 400 ppm
Cyanuric Acid	30 to 50 ppm
Total Dissolved Solids (TDS)	Less than 2000 ppm
Copper	0 ppm
* Concentration levels taken from "Basic Pool and Spa Technology" published by NSPI (National Spa and Pool Institute).	

Table 1. Optimal Water Chemistry Ranges

NOTE: For spas, it is also necessary to perform water changes in addition to chemical treatment. It is recommended to change the spa water every 60 days for light usage and every 30 days if usage is heavy.

Winterizing

CAUTION — Failure to winterize could cause damage to the heat pump and will void the warranty.

In areas where freezing temperatures occur, you should protect your pump, filter, and heat pump from the elements. Perform the following steps to completely drain the heat pump, see Figure 16.

1. Turn off the electrical power to the heat pump at the main breaker panel.
2. Shut off the water supply to the heat pump.
3. Disconnect the water inlet and outlet unions located on the lower front panel of the heat pump.
4. Cover only the top of the heat pump to prevent debris from falling into the unit. Do not wrap the sides of the heat pump with any plastic or other material that will retain heat or moisture inside the unit.

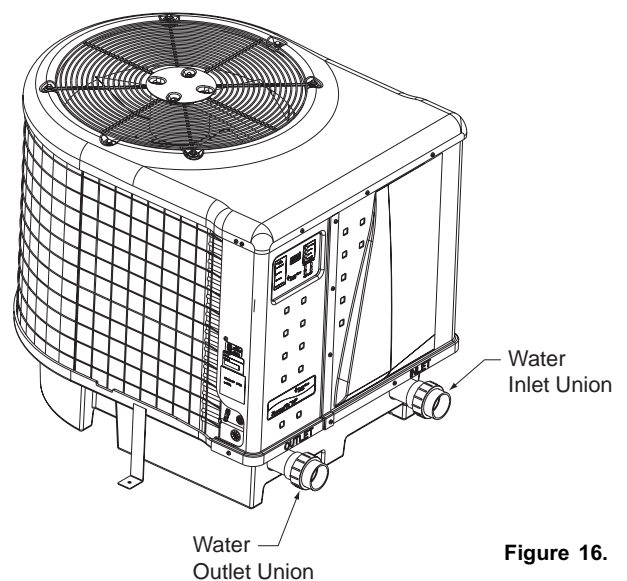


Figure 16.

Spring Start-Up

If your heat pump has been winterized, perform the following steps when starting the system in the Spring:

1. Uncover the heat pump and inspect the top and sides for any debris or structural problems.
2. Connect the water inlet and outlet unions located on the lower front panel of the heat pump.
3. Turn on the filter pump to supply water to the heat pump. Open the filter air bleeder and circulate water through the system long enough to bleed all the air out of the pool system. Check for leaks in and around the heat pump.
4. Turn on the electrical power to the heat pump at the main breaker panel.

Inspection and Service

Pentair Water Heat Pumps are designed and constructed to provide long performance life when installed and operated properly under normal conditions. Periodic inspections are important to keep your heat pump running safely and efficiently through the years.

Owner Inspection

Pentair Water recommends that you inspect your heat pump on a continual basis and especially after abnormal weather conditions. The following basic guidelines are suggested for your inspection:

1. Make sure the front of the unit is accessible for future service.
2. Keep the top and surrounding areas of the heat pump clear of all debris.
3. Keep all plants and shrubs trimmed and away from the heat pump.
4. Keep lawn sprinkler heads from spraying on the heat pump to prevent corrosion and damage. Use a deflector if needed.
5. If the unit is installed under a very sharp roof pitch or under a roof without a gutter, a gutter or diverter should be fitted to prevent excessive water from pouring down into the unit.
6. Do not use this heat pump if any part has been under water. Immediately call a qualified professional technician to inspect the heat pump and replace any part of the control system which has been submerged.

The heat pump will produce condensation (water) while in operation. The heat pump base is designed to allow the condensation to exit through the bottom drain port when the unit is running. The condensation will increase as the outdoor air humidity level increases. Check the following at regular intervals to ensure proper condensate drainage:

1. Visually inspect and clear the bottom drain ports of any debris that could clog the ports.
2. Keep the top air flow discharge and air flow intake area clear of debris so the air flow through the heat pump is not restricted. The cooler discharge air from the top should not accumulate and be drawn into the side air intake coils.
3. Ensure that condensate run-off is properly directed away from the equipment pad to keep it from undermining the pad.
4. Ensure that condensate water does not puddle inside the heat pump.

During normal operation, the heat pump produces three to five gallons of condensate per hour. If condensate drainage is above this range during operation or if water continues to drain from the base when the heat pump is not in operation for more than an hour, a leak in the internal plumbing may have occurred. Call a qualified heat pump technician to investigate the problem.

Professional Maintenance and Service

The Pentair ThermalFlo Heat Pump is one of the most efficient ways to heat a pool or spa. The heat pump transfers heat from the outside air to the pool or spa water by means of an internal heat exchanger.

When the fan is turned on, warm air is drawn through the R410A refrigerant charged air coil, turning the cold liquid refrigerant to a warm gas. The gas then flows through the reciprocating compressor, which increases the pressure and refrigerant temperature. The hot refrigerant gas enters the water to gas heat exchanger where the water is heated and returned to the pool. During this heat exchange process the refrigerant is cooled and returned to the air coil and the cycle repeats.

NOTE: The maximum heat output and efficiency of a heat pump is dependent upon the quality and performance of the major components used. As equally important are the environmental conditions (for example, air temperature, humidity, water temperature, and wind).

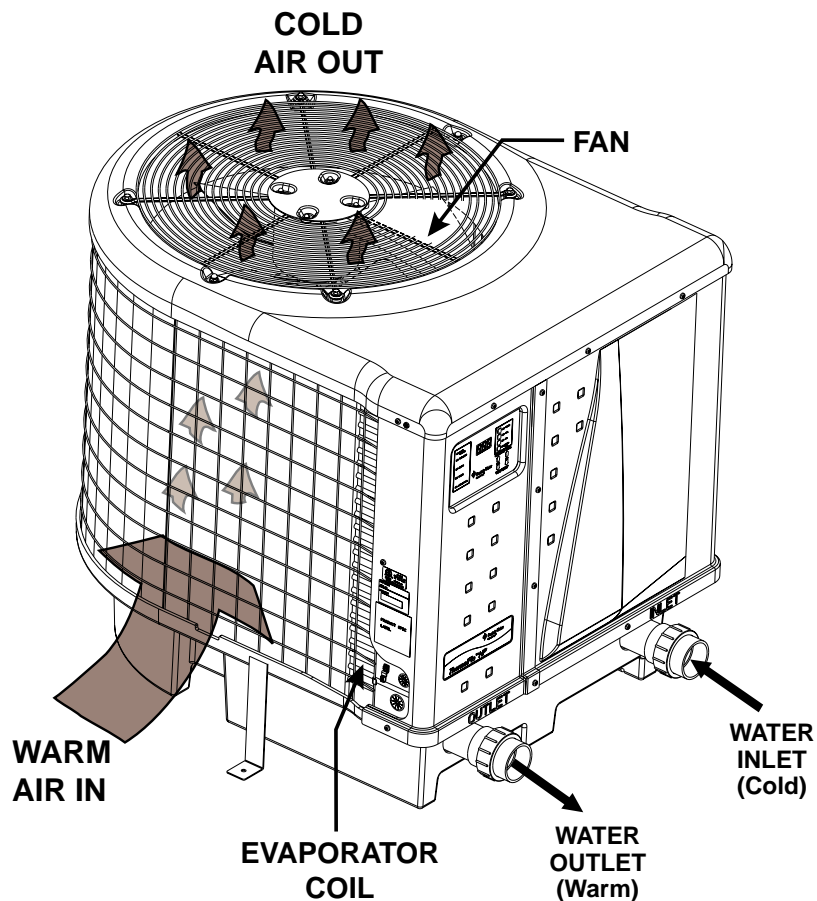


Figure 16. Typical Heating Cycle



Section 5

Troubleshooting

Use the following troubleshooting information to resolve possible problems with your ThermalFlo heat pump.

WARNING — RISK OF ELECTRICAL SHOCK OR ELECTROCUTION.



Improperly installation will create an electrical hazard which could result in death or serious injury to pool users, installers, or others due to electrical shock, and may also cause damage to property. **Do NOT** attempt any internal adjustments inside the heater.

1. Keep your hands and hair clear of the fan blades to avoid injury.
2. If you are not familiar with your pool filtering system and heater:
 - a. **Do NOT** attempt to adjust or service without consulting your dealer, professional pool or air conditioning contractor.
 - b. Read the entire Installation & User's Guide before attempting to use, service or adjust the heater or pool filtering system. The water pressure switch should be adjusted to turn the heater off when the pump is off. Setting the switch to close at too low of a flow can damage the appliance. Adjust the switch to turn the heater off, not on.

Note: Turn off power to unit prior to attempting service or repair. **Problems and Corrective Action**

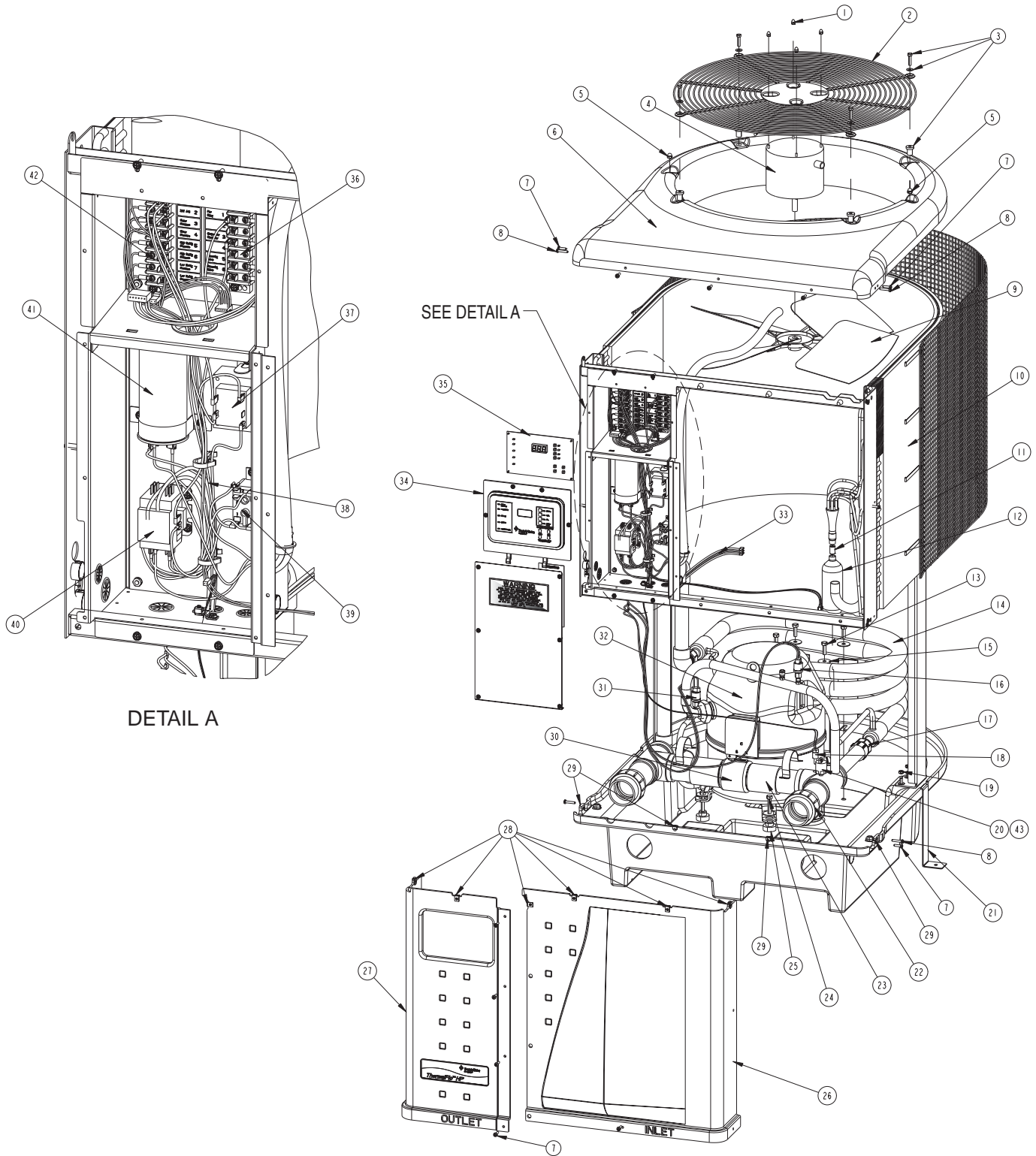
Problem	Possible Cause	Corrective Action
All control lights off. Unit will not start.	No power supply to heater. Tripped breaker or blown fuse. Control failure.	Reset breaker. Replace fuse. Call dealer for advise. Call factory for advise.
Remote, Pool or Spa light ON. Water Pressure light OFF. Thermostat light ON. Unit will not start.	Low water flow through heater. Dirty or worn filters or clogged lint traps. Clogged filter pump impeller. Improper plumbing valve settings. Suction leak allowing air into the water flow. Internal water pressure switch failure.	Clean entire filtering system and or replace filter element. Inspect & clean pump impeller. Adjust plumbing valves. Repair suction air leaks, grease pump lid o-ring. Replace filter. Replace water pressure switch. Check water pressure switch adjustment.
Water Temperature not hot enough. Remote, Pool or Spa light ON. Water Pressure light ON. Thermostat light OFF. Unit will not run.	Thermostat is not set higher than the pool/spa water temperature. The water temperature has reached the current setting. The thermostat is malfunctioning. The pool/spa select switch is not in the correct mode.	Increase set point temperature. Maximum water temperature is 104° F. Call your dealer for advise. Call the factory for advise.
Remote, Pool or Spa light ON. Water Pressure light ON. Thermostat light ON. Unit will not start. OR Unit is forming ice or frost on the outer air coil, usually at the bottom.	Outside air temperature below operating range of 45° F. Discharge air flow is restricted. Discharge air is accumulating and being drawn back through the outer air coil. The fan is obstructed, low air flow. Large amounts of roof run off water restricting fan blade rotation. Sprinklers spraying on the outer air coil during cooler temperatures. Outer air coil clogged with debris. Plants too close to heater, blocking air flow. Low refrigerant pressure caused by a Freon™ leak. Possible malfunctioning of the internal low refrigerant pressure switch.	Do not try to operate the heater when the outside air temperature drops below 50° F. Make sure heater is installed with the required placement clearances for air flow and roof clearance. Do not install indoors. Make sure that your sprinklers do not spray on the heater in any way what so ever. If ice forms on the outer coil, shut the heater off and allow ice to thaw. You may use water at low pressure to thaw ice build up on the outer coil, shut the heater off when doing so. Call the factory for advise.

Problem	Possible Cause	Corrective Action
Remote, Pool or Spa light ON. Water Pressure light ON. Thermostat light OFF. E01 Error Unit will not run.	Low or restricted water flow through heater. Dirty or worn filters or clogged lint traps. Clogged filter pump impeller. Improper plumbing valve settings. Suction leak allowing air into the water flow. Low water flow when switched to spa mode. Unit is plumbed backwards. Heat exchanger clogged with debris. Internal bypass valve damaged or clogged with debris. Refrigerant system malfunction.	Clean entire filtering system and or replace filter element. Inspect & clean pump impeller. Adjust all plumbing valves. Repair suction air leaks, grease pump lid o-ring. Replace filter. Wrong filter pump pipe size. Automatic pool vacuum causing restriction. Recharge refrigerant if required. Call your dealer for advise. Call the factory for advise.
Remote, Pool or Spa light ON. Water Pressure light ON. Thermostat light ON. Unit is cycling on & off.	Low or restricted water flow through heater. Dirty or worn filters or clogged lint traps. Clogged filter pump impeller. Improper plumbing valve settings. Suction leak allowing air into the water flow. Low water flow when switched to spa mode. Unit is plumbed backwards. Heat exchanger clogged with debris. Internal bypass valve damaged or clogged with debris. Fan cycling.	Clean entire filtering system and or replace filter element. Inspect & clean pump impeller. Adjust all plumbing valves. Repair suction air leaks, grease pump lid o-ring. Replace filter. Wrong filter pump pipe size. Automatic pool vacuum causing restriction. Call your dealer for advise. Call the factory for advise.
Remote, Pool or Spa light ON. Water Pressure light ON. Thermostat light ON. Fan is not turning. Unit will not start.	Low water flow through heater. Dirty or worn filters or clogged lint traps. Clogged filter pump impeller. Improper plumbing valve settings.	Clean entire filtering system and or replace filter element. Inspect & clean pump impeller. Adjust plumbing valves. Adjust water pressure switch. Call the factory for advice.
All control lights ON. Fan is turning, no cool air discharging out the top of heater. Unit is not heating.	Compressor has not started yet. Low water flow through heater. Dirty or worn filters or clogged lint traps. Clogged filter pump impeller. Improper plumbing valve settings.	Wait for the 5 minute compressor time delay. Clean entire filtering system and or replace filter element. Inspect & clean pump impeller. Adjust plumbing valves. Call factory or dealer.
Spa will not heat to maximum temperature of 104° F. Thermostat is turned all the way up. OR Spa is heating very slowly.	Low or restricted water flow through heater. Dirty or worn filters or clogged lint traps. Clogged filter pump impeller. Improper plumbing valve settings. Suction leak allowing air into the water flow. Low water flow when switched to spa mode or the control is not in spa mode. Unit is plumbed backwards. Heat exchanger clogged with debris. Internal bypass valve damaged or clogged with debris. Your spa thermometer is not reading the correct temperature. Air blower is running. Venturi air inlets are open. It is very cold outside. Spa pump is not running.	Clean entire filtering system and or replace filter element. Inspect & clean pump impeller. Adjust all plumbing valves. Repair suction air leaks, grease pump lid o-ring. Shut off air blower and or Venturi inlets that allow air turbulence in the spa. Use a cover while heating the spa. Outside air temp. too cold. Set spa pump timer for longer time. Call your dealer for advice. Call the factory for advice.
Pool is heating very slowly. Pool is not getting up to temperature.	Low or restricted water flow through heater. Dirty or worn filters or clogged lint traps. Clogged filter pump impeller. Improper plumbing valve settings. Suction leak allowing air into the water flow. It is cold outside. Pool pump timer is not set for a long enough running period. Pool is not covered. High wind speed over pool. Shaded pool area.	Clean entire filtering system and or replace filter element. Inspect & clean pump impeller. Adjust all plumbing valves. Repair suction air leaks, grease pump lid o-ring. Use a pool cover. Place a wind break around pool. Set pool pump timer longer. Call your dealer for advice. Call the factory for advice.

Problem	Possible Cause	Corrective Action
Compressor will not start. Fan comes on, compressor attempts to start but unit shuts all the way off (and or circuit breaker trips).	Low or restricted water flow through heater. Dirty or worn filters or clogged lint traps. Clogged filter pump impeller. Improper plumbing valve settings. Suction leak allowing air into the water flow. Low water flow when switched to spa mode. Compressor was not preheated properly. Low, weak or damaged start capacitor.	Clean entire filtering system and or replace filter element. Inspect & clean pump impeller. Adjust all plumbing valves. Repair suction air leaks, grease pump lid o-ring. Replace filter. Have a licensed electrician check the power supply voltage and wire size. Check start capacitor. Call your installer for advice. Call the factory for advice.
Water running from the bottom of the heater when it is running. OR The heater seems to have a water leak.	The heater produces water condensation when it operates. The water will trickle from the drain holes designed in the bottom of the heater. The higher the humidity the more water condensation the heater will produce. This is similar to the effect that a glass of ice water has when it sweats. Corrosive pool water, chemical damage to water tubing inside heater. Chlorinator is not isolated from the heater, chlorine migration.	Shut the heater off for several hours but leave the pool water pump running. Allow enough time for all the normal condensation to evaporate. If the heater continues to trickle water after that time, when it is not running, you may have a pool water leak. You can test this water for chlorine to confirm. Make sure your chlorinator has a check valve and loop installed between the heater & chlorinator.
Heat pump does not run and control board display shows HIGH REFRIGERANT PRESSURE. E02 Error		Verify circulating pump is on and that there are no water flow restrictions to the heat pump. Make sure all necessary valves are open or in the proper positions to allow proper water flow to the heat pump. Verify filter and skimmers are clean. Check for water level in the pool. This condition may also appear if the heat pump has not been operated for an extended period. To clear the condition, cycle the heat pump, on and off, up to 3 times. If this does not correct the problem call, for service.
Heat pump does not run or short cycles and control board display shows LOW REFRIGERANT PRESSURE. E01 Error		Check that fan is operating and air is coming out of the top of the heat pump, while short cycling. If heat pump does not run at all, call for service.

Section 6 Replacement Parts

Illustrated Parts



Replacement Parts List

Item No.	Part No.	Part Description
1	470439	NUT, 10-32 SS ACORN
2	473368	GUARD, FAN
3	470441	FASTENER KIT, FAN GUARD (1 SET)
4	470289	MOTOR & ACORN NUT KIT, FAN
5	473285	NUT, 1/4-20 SS ACORN
6	473134	TOP
7	470159	SCREW, #10 X .75" PAN HEAD PHILLIPS, ALMOND HEAD
8	470161	SCREW, #10 X 1" BUTTON HEAD TORX, ALMOND HEAD
9	473223	BLADE, FAN
10	470135	COIL, AIR EVAPORATOR, (MODEL # 900, 1200, 1200R, 1200C)
10	470136	COIL, AIR EVAPORATOR, (MODEL # 500, 700)
11	473144	ORIFICE, REVERSING (MODEL # 1200R)
11	473145	ORIFICE (MODEL # 500, 700, 900, 1200, 1200C)
12	473121	DRIER (MODEL # 500, 700, 900, 1200, 1200C)
12	473139	DRIER, REVERSIBLE (MODEL # 1200R)
13	98219800	BOLT 5/16-18 x 1" SS
14	473416	COIL, WATER (MODEL # 500)
14	473417	COIL, WATER (MODEL # 700, 900, 1200, 1200R, 1200C)
15	473295	WASHER, FENDER
16	473175	SWITCH, LOW PRESSURE
17	473116	COMPRESSION FITTING, WATER LINE (MODEL # 500)
17	473117	COMPRESSION FITTING, WATER LINE (MODEL # 700, 900, 1200, 1200R, 1200C)
18	471566	PROBE, THERMISTOR
19	071406	NUT, 1/4-20 HEX SS
20	473605	SWITCH, WATER PRESSURE
21	470137	BRACKET, TIE DOWN
22	473381	UNION, 2" PVC
23	473320	MANIFOLD, WATER BYPASS W/HARTFORD LOOP (MODEL # 700, 900, 1200, 1200R, 1200C)
23	473424	MANIFOLD, WATER BYPASS W/HARTFORD LOOP (MODEL # 500)
24	473294	BOLT 5/16-18 x 1.75" SS
25	473026	COMPRESSOR ISOLATION KIT, GROMMET & SPACER (1 SET)
26	473412	PANEL, FRONT RIGHT (MODEL # 500, 700)
26	473431	PANEL, FRONT RIGHT (MODEL # 900, 1200, 1200R, 1200C)
27	470419	PANEL, FRONT LEFT, W/DECAL (MODEL # 500, 700)
27	470434	PANEL, FRONT LEFT, W/DECAL (MODEL # 900, 1200, 1200R, 1200C)
28	470281	NUT, U-CLIP
29	470284	NUT, J-CLIP
30	R172305	VALVE, CHECK
31	473172	SWITCH, HIGH PRESSURE
32	473024	COMPRESSOR, TRANE GH633-LL1-G (MODEL # 500, 700, 900)
32	473025	COMPRESSOR, TRANE GH673-LM1-G (MODEL # 1200, 1200R, 1200C)
33	470147	WIRE HARNESS, COMPRESSOR
34	473425	BEZEL, CONTROL BOARD W/LABEL
35	473409	CONTROL BOARD
36	473422	WIRE HARNESS, FAN & COMPRESSOR TERMINAL BLOCK
37	473155	TRANSFORMER
38	473423	WIRE HARNESS, MAIN
39	473150	RELAY, FAN
40	473149	CONTACTOR
41	470146	CAPACITOR
42	473315	WIRE HARNESS, SENSOR TERMINAL BLOCK
	473135	VALVE, REVERSING (MODEL # 1200R) (NOT SHOWN)
	473136	SOLENOID, REVERSING (MODEL # 1200R) (NOT SHOWN)
43	473606	WATER PRESSURE SWITCH BOOT

Notes

